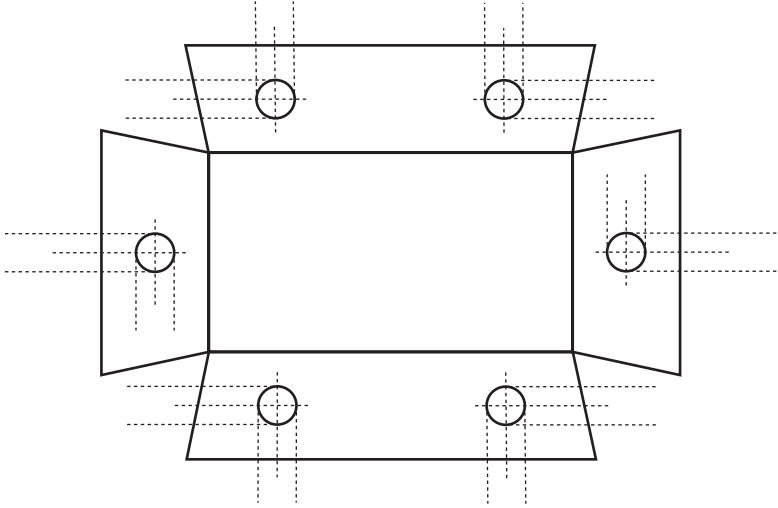
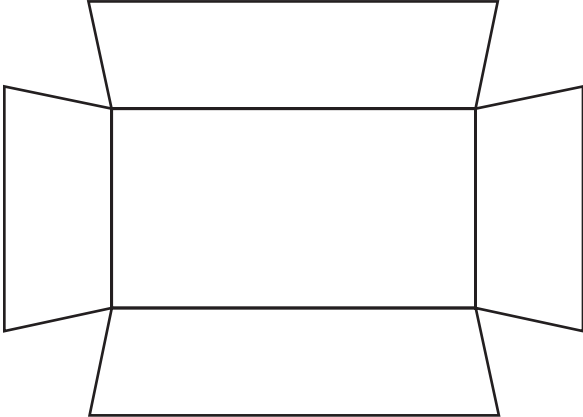




P.O. Box 334
 East Bridgewater, MA 02333
 508-697-3710
 Fax 508-697-0606

MILLER ENVIRONMENTAL
 PRODUCTS, INC.

Sales Order

	Quantity
	Length
	Width
	Height
	Tank Type
	<input type="checkbox"/> 1 Piece
	<input type="checkbox"/> 2 Piece

IMPORTANT! The above specifications are represented to be accurate by the customer, in no event will we be responsible for inaccurate information provided herein. Miller Environmental Products, Inc. will produce the product to the above specifications with a tolerance of $\pm 2''$ and warranty the material and workmanship. Initial _____

Date: _____ Purchase Order #: _____ Deposit: _____ Balance: _____

Company Name: _____ Authorized Purchaser (print): _____

Address: _____ City: _____ State: _____ Zip: _____

Telephone: () _____ Fax: () _____

Signature of Authorized Purchaser: _____

Terms: C.O.D. 2% 10/Net 30 Net 30 Days Shipping: UPS Ground UPS Freight Line _____